

Consumer Retail Series

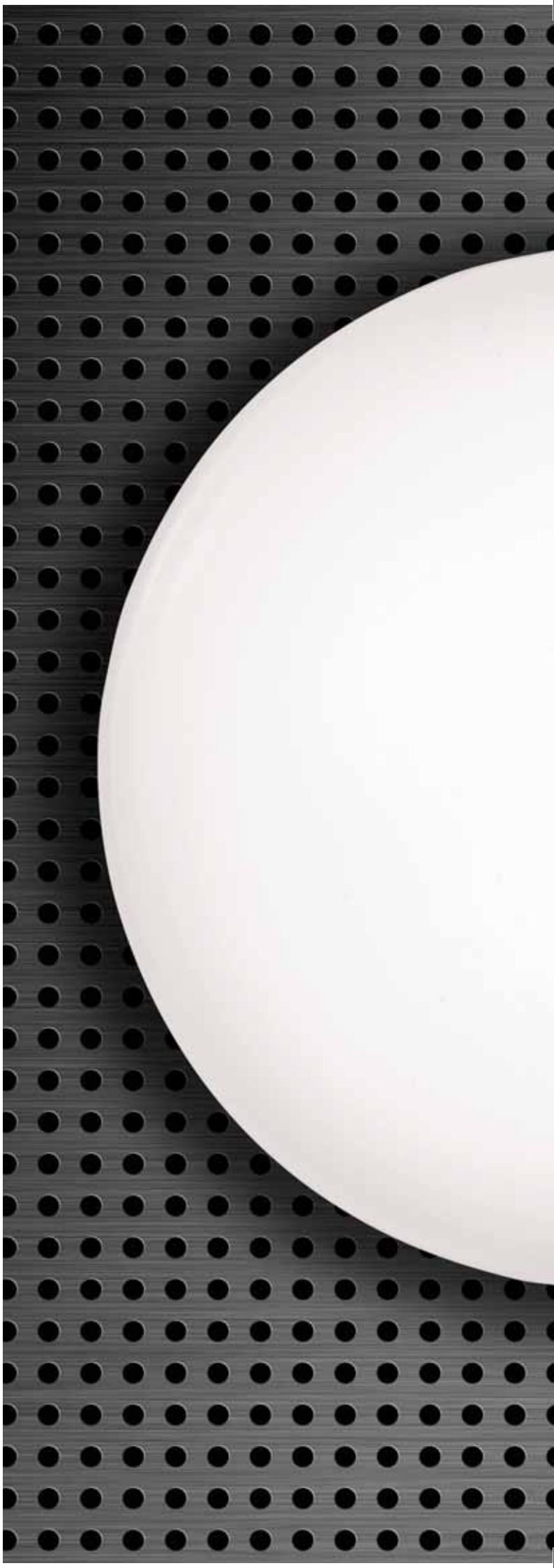
LED Flush Mount Fixture Series



Interior Illumination



Eslight's LED Flush Mount Fixtures are designed for simple DIY surface mount to existing building electrical wiring making installation fast and easy. Manufactured of high quality materials and utilizing high brightness SMD 3528 white LEDs the LED Flush Mount Fixtures offer extremely long life and low energy consumption. LED Flush Mount Fixtures output plenty of lumens to directly replace incandescent and CFL based ceiling flush mount fixtures.



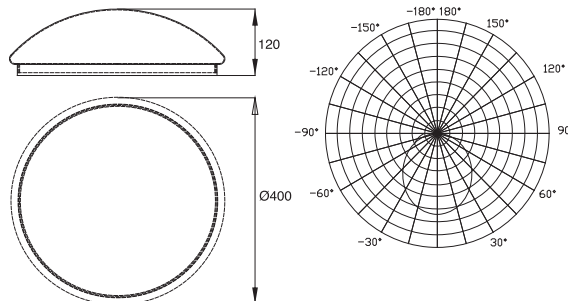
91854-AC



Light Source: SMD LEDs
 Beam Angle: 120°
 Material: A3+PP Plastic
 Input Voltage: 220V
 Power Consumption: 26W
 Luminous Flux: 1000Lm
 Color Temperature: 5500K
 Fixture Color: White
 Dimmable From 0%-100%



AC SMD LED Flushmont Round



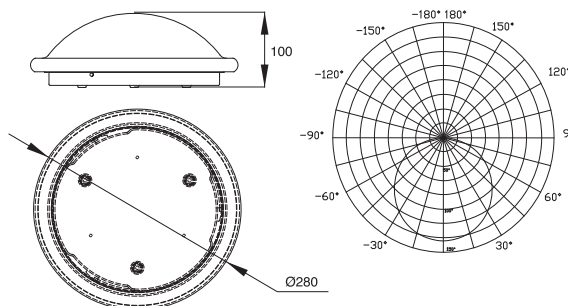
91844-AC



Light Source: SMD LEDs
 Beam Angle: 120°
 Material: A3+PP Plastic
 Input Voltage: 220V
 Power Consumption: 13W
 Luminous Flux: 320Lm
 Color Temperature: 5500K
 Fixture Color: White
 Dimmable From 0%-100%



AC SMD LED Flushmont Round



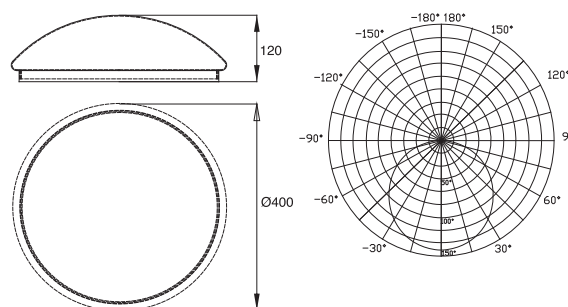
91854



Light Source: SMD LEDs
 Beam Angle: 120°
 Material: A3+PP Plastic
 Input Voltage: 100-240V AC 50/60Hz
 Power Consumption: 25W
 Luminous Flux: 11150Lm
 Color Temperature: 5500K
 Fixture Color: White



SMD LED Non-isolated Flushmont Round



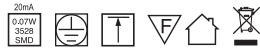
Consumer Retail Series

Interior Illumination LED Flush Mount Fixture Series

91844



Light Source: SMD LEDs
Beam Angle: 120°
Material: A3+PP Plastic
Input Voltage: 100-240V AC 50/60Hz
Power Consumption: 13W
Luminous Flux: 400lm
Color Temperature: 5500K
Fixture Color: White



SMD LED Non-isolated Flushmount Round

