

# Architecture Illumination

LED Underwater Luminaires Series

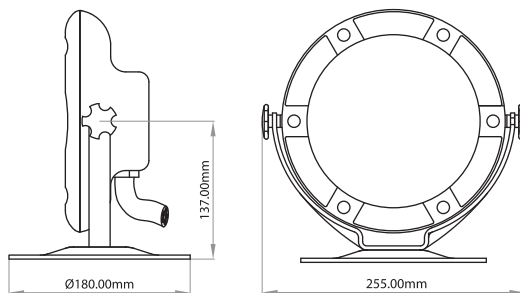
Color Changing



## Specifications

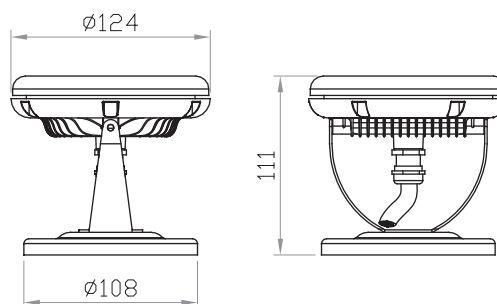
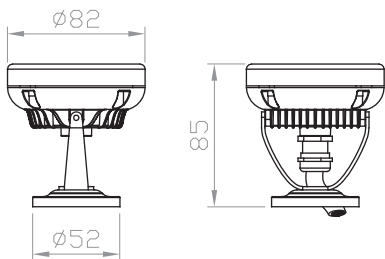
Item NO.	LU-UW-PC-DIA220-24V-PI
Led Color Range	RGB 16.7 Million
Light Source	18x1W High power LED (R6, G6, B6)
Beam Angle	25°
Voltage Rated	24V DC
Power Consumption	24W
Data Interface	DMX compatible (RS485 connector)
DMX Channels	3
Control	DMX-512 or Simple Controller SRC-AI-100
Control System	DMX console + switching power supply (or SRC-AI-100 Address Writer), synchronization controller + switching power supply
DMX Address Setting	SRC-AI-100 Address Writer
Fixture Housing	Stainless Steel (A) or Die Cast Aluminum (B) Add A or B to the end of the part number for material type
Connector	3-pin power & signal connector
Ip Rating	IP68
Operating Temperature	-20°C~40°C
Submersion Depth	-400-2000mm Below Water Surface
Sustainable Pressure	0.0533T/mm <sup>2</sup>

## Dimensional Diagram





LAH-9RGB-12V-01	LAH-6RGB-12V-01	LAH-3RGB-12V-01
RGB 16.7 Million		
9x1W High power LED	6x1W High power LED	3x1W High power LED
25°	25°	25°
12V DC	12V DC	12V DC
9W	6W	3W
DMX compatible (RS485 connector)		
3		
DMX-512 or Simple Controller SRC-181		
DMX console + switching power supply (or SRC-AI-100 Address Writer), synchronization controller + switching power supply		
SRC-AI-100 Address Writer		
Stainless Steel (A) or Die Cast Aluminum (B) Add A or B to the end of the part number for material type		
3-pin power & signal connector		
IP68		
-20°C~40°C		
-400-2000mm Below Water Surface		
0.0533T/mm²		



# Architecture Illumination

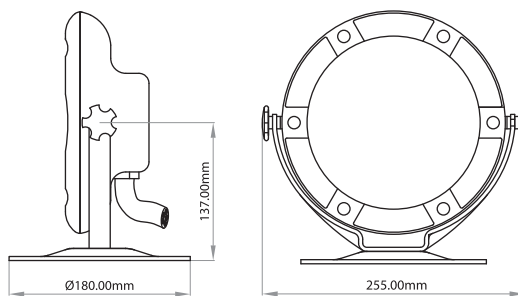
## LED Underwater Luminaires Series



### Technical Specifications

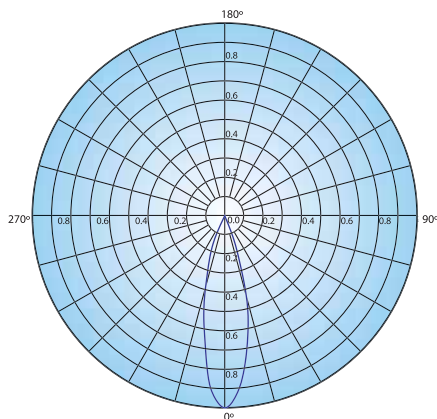
Item NO.	LA-DIA220-12V-PI-A/B/C	LA-DIA220-12V-PI-W
LED color range	16.7 million colors at 24 bit RGB additive color mixing	white color
Light source	360pcs LED	270pcs LED
Beam angle	45°	45°
Operating Voltage	12V DC	24V DC
Power Consumption	25W	
Data interface	Standard DMX protocol (RS485 terminal)	
DMX Channels	3	
Control	DMX-512 or Simple Controller SRC-AI-100	
Control system	DMX console + switching power supply (or SRC-AI-100 Adress Writer), synchronization controller + switching power supply	
DMX Address Setting	SRC-AI-100 Address Writer	
Connector	3-pin power & signal connector	
Structural	<p><b>Aqua I RGB is available in three configurations Part#</b>                      The Letter Code at the end of the part number (example: <b>LA-DIA220-12V-PI-A</b> ) is explained below:  <b>A</b> --- stainless steel fixture housing with ultra bright LEDs  <b>B</b> --- aluminum die cast fixture housing with ultra bright LEDs  <b>C</b> --- aluminum die cast fixture housing with super bright LEDs</p>	
Operating Temperature	-20°C - 55°C	
IP Rating	IP68	
Submersion Depth	-400-2000mm Below Water Surface	
Sustainable Pressure	0.0533T/mm <sup>2</sup>	

### Dimensional Diagram



## LA-DIA220-12V-PI (RGB)

### Candle Power Distribution



#### Testing Circumstance

Installation position: Horizontal  
 Testing surface: A-A surface

#### Electrical Parameters

Current: 0.253 A  
 Voltage: 220V  
 Power consumption: 35W

#### Testing Result

Max. luminous intensity: 1022.806cd  
 Luminous flux: 370.7Lm  
 Efficacy: 11.029lm/w  
 Beam angle: 28°  
 Remark: Standard voltage 220V



### Illuminance Distribution

70.5	80.4	92.6	116.3	129.4	137.4	118.7	102.5	84.3	75.5	0.5M
81.1	104.3	167.2	258.1	324.1	314.4	248.1	162.4	137.1	85.3	
112.4	173.1	334.1	601.1	762.5	694.1	581.6	272.3	157.2	102.2	
142.8	272.3	634.7	1057.3	1263.0	1157.9	839.1	782.5	234.7	124.6	
162.3	380.4	812.4	1265.5	1626.6	1547.5	1125.0	643.1	292.3	151.3	0M
157.7	338.9	753.2	1243.2	1301.1	1534.1	1141.2	692.1	299.1	153.1	
137.7	246.9	535.2	937.8	1214.0	1224.3	952.6	552.1	257.9	133.1	
112.0	167.2	298.6	561.3	761.3	772.7	573.3	319.5	152.1	102.3	
94.3	123.0	162.1	263.2	317.8	321.0	224.3	141.5	103.5	81.0	
82.9	93.9	112.3	123.7	132.6	134.5	112.5	95.0	78.2	70.6	0.5M

Units: Lux  
 Color: White  
 Direction: On axis  
 Multipliers: 0.115 Red, 0.378 Green, 0.506 Blue

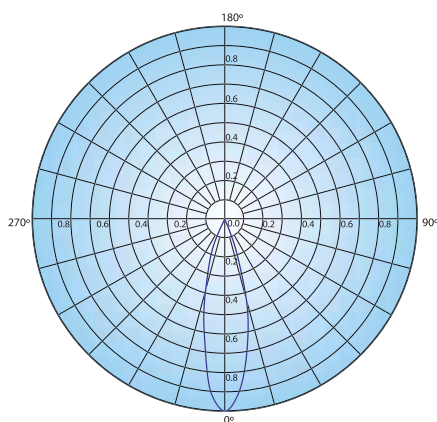
### Illuminance

Color	Distance				
	1m	2m	3m	4m	5m
White	1943.5	486.1	250.4	135.1	75.6
Red	258.3	67.0	30.5	20.2	12.3
Green	805.5	205.5	96.9	52.3	37.8
Blue	885.5	250.3	135.3	70.5	46

Unit: Lux  
 Direction: On axis

## LA-UB-DIA220-12V-PI-W (white)

### Candle Power Distribution



### Illuminance

Color	Distance				
	1m	2m	3m	4m	5m
White	1724.3	456.1	208.4	118.1	74.6

Unit: Lux  
 Direction: On axis